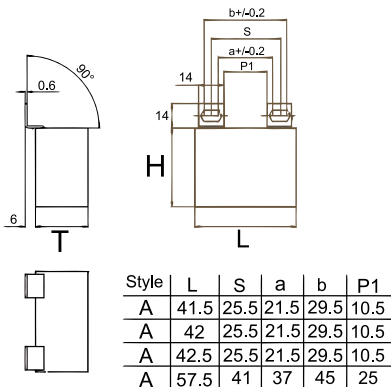


Film, Metallized Polypropylene, Power, C4BS, 0.47 uF, 5%, 850 V, 70C, Lead Spacing = 25mm



| Dimensions |               |
|------------|---------------|
| L          | 41.5mm NOM    |
| H          | 40mm NOM      |
| T          | 20mm NOM      |
| S          | 25mm +/-0.2mm |

| Packaging Specifications |      |
|--------------------------|------|
| Packaging:               | Bulk |
| Packaging Quantity:      | 40   |

| General Information |                          |
|---------------------|--------------------------|
| Dielectric:         | Metallized Polypropylene |
| Style:              | Radial                   |
| Series:             | C4BS                     |
| Features:           | IGBT Circuit             |
| RoHS:               | Yes                      |
| Lead:               | Flat Tabs                |
| Miscellaneous:      | Kemet Style A Tabs       |

| Specifications         |                                       |
|------------------------|---------------------------------------|
| Capacitance:           | 0.47 uF                               |
| Capacitance Tolerance: | 5%                                    |
| Voltage DC:            | 850 VDC                               |
| Voltage AC:            | 550 VAC                               |
| Temperature Range:     | -40/+85C                              |
| Rated Temperature:     | 70C                                   |
| Max dVdt:              | 758 V                                 |
| Resistance:            | 8.2 mOhms (100kHz)                    |
| Current:               | 16 Amps (100kHz 70C), 356 Amps (Peak) |
| Inductance:            | 41 nH                                 |